



## Compact Wine cabinets

- GB Instructions for use
- DE Bedienungsanleitung
- FR Mode d'emploi
- DK Brugsanvisning

## Warning.

In case this appliance contains hydrocarbon refrigerant please refer to guidelines listed below.

As the appliance contains a flammable refrigerant, it is essential to ensure that the refrigerant pipes are not damaged.

Standard EN378 specifies that the room in which you install your appliance must have a volume of 1m<sup>3</sup> per 8 g of hydrocarbon refrigerant used in the appliances. This is to avoid the formation of flammable gas/air mixtures in the room where the appliance is located in the event of a leak in the refrigerant circuit. The quantity of the refrigerant used in your appliance is indicated on the rating plate.

**WARNING:** Keep ventilation openings in the appliance's cabinet or in the built-in structure clear of obstruction

**WARNING:** Do not use other **mechanical devices** or other means to accelerate the defrosting process than those recommended by the manufacturer

**WARNING:** Do not damage the refrigerant system

**WARNING:** Do not use **electrical appliances** inside the refrigerated storage compartment, unless they are of a type recommended by the manufacturer

**WARNING:** Do not expose the appliance to rain

**WARNING:** This appliance is not intended for use by young children or infirm persons unless they have been adequately supervised by a responsible person to ensure that they can use the appliance safely. Young children should be supervised to ensure that they do not play with the appliance

- Always keep the keys in a separate place and out of reach of children
- Before servicing or cleaning the appliance, unplug the appliance from the mains or disconnect the electrical power supply
- If the supply cord is damaged, it must be replaced by the manufacturer, its service agent, or similarly qualified persons in order to avoid a hazard
- **Relevant for Australia:** Supply cord fitted with a plug complies with AS/NZS 3112.
- Frost formation on the interior evaporator wall and upper parts is a natural phenomenon. Therefore, the appliance should be defrosted during normal cleaning or maintenance
- Please note that changes to the appliance construction will cancel all warranty and product liability
- This appliance is intended to be used exclusively for the storage of wine

## Contents

Warning .....	2
Before use .....	3
Technical data.....	3
Get to know your wine cooler. ....	4
Installation and start-up .....	4
Change of hinge side.....	6-7
Operation and function .....	8-9
Defrosting, cleaning and maintenance.....	10
Removing the shelves .....	10
Fault finding.....	11
Warranty, spare parts and service.....	12
Disposal.....	13

**Thank you** for purchasing your new wine cooler. Please note that these instructions apply to all wine coolers in the Compact wine range. Illustrations and fittings may therefore not necessarily correspond exactly to your model.

## Before use.

Before operating your new appliance, please read the following instructions carefully as they contain important information on safety, installation, operation and maintenance. Keep the instructions for future reference. On receipt, check to ensure that the appliance has not been damaged during transport. Transport damage should be reported to the local distributor before the wine cooler is put into use.

Remove the packaging. Clean the inside of the cabinet using warm water with a mild detergent. Rinse with clean water and dry thoroughly (see cleaning instructions). Use a soft cloth. If the appliance has been laid down during transport, or if it has been stored in cold surroundings (colder than +5°C), it must stabilise in an upright position for at least one hour before being switched on.

## Technical data.

This device complies with relevant EU directives including Low Voltage Directive 2006/95 EEC. and Electromagnetic Compatibility Directive 2004/108/EC

The rating plate provides various technical information as well as type and serial number.

## Get to know your wine cooler.

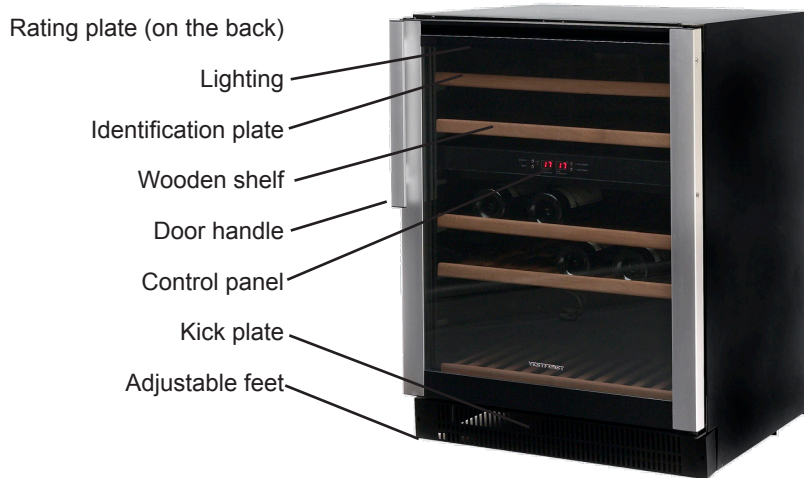


fig. 1

## Installation and start-up.

### Placement

For safety and operational reasons, the appliance must not be installed outdoors.

The appliance should be placed on a level surface in a dry, well ventilated room (max. 75% relative air humidity). Never place the appliance close to sources of heat such as cookers or radiators, and avoid placing it in direct sunlight.

### Room temperature

The climate class is stated on the rating plate (see fig. 1 on page 3 and fig. 11 on page 12). This specifies the optimum room temperature.

Climate class	Optimum room temperature
SN	+10 °C to +32 °C
N	+16 °C to +32 °C
ST	+18 °C to +38 °C
T	+18 °C to +43 °C

## Installation

The surface on which the appliance is to be placed must be level. Do not use a frame or similar. It is important that the appliance be absolutely level. It can be levelled by screwing the adjustable feet at the front of the appliance up or down (fig. 2).

Use a spirit level to check that the appliance is absolutely level sideways.

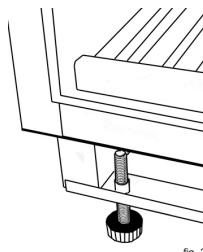


fig. 2

## Build-in

**W32** is only for free-standing, and sufficient free air around the appliance must be ensured. (fig. 4)

The appliances **W45 and W38** can be installed as built-in units in kitchen elements or be placed free-standing (fig. 3).

At built-in condition ensure sufficient airflow through the kitchen base in front of the appliance. The total cross section of the opening must be as described in fig. 3, and individual air duct clearance must be at least 5 mm.

Along with your new cabinet is a replaceable kick plate which can be fixed with the two screws. These two screws are located in the accessories bag, see figure 2\_1

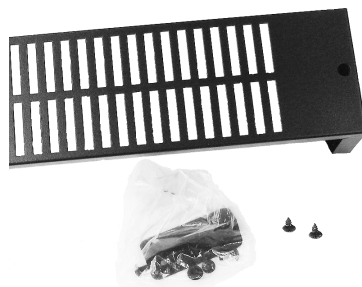


fig. 2\_1

If needed there is a kit in the accessories bag, see figure 2\_1, for fixing the cabinet up against a table top.

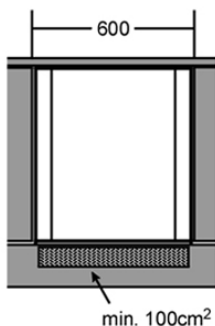
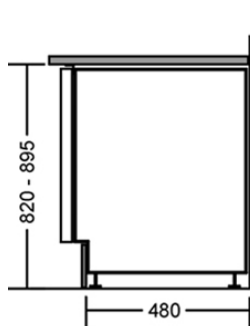


fig. 3

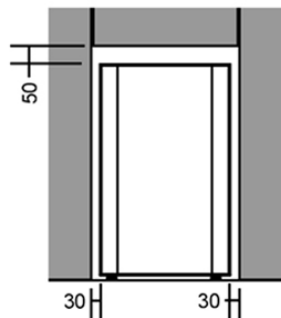


fig. 4

## Change of hinge side - W32.

The door can be changed from right-hinged to left-hinged and vice versa as follows:

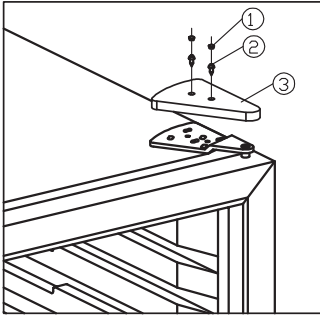


Abb. 5.1

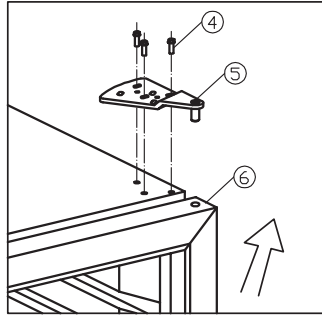


Abb. 5.2

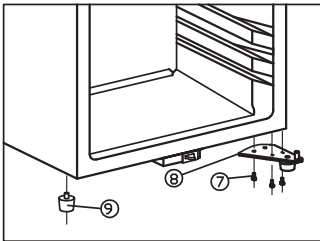


Abb. 5.3

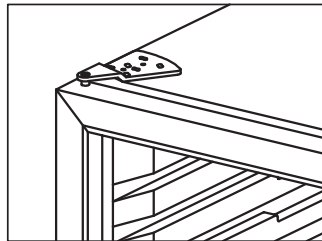


Abb. 5.4

1. Rubber cover 2. Screw 3. Decorative cover 4 & 7 .Screw  
5. Top hinge module 6.Door 8.Lower hinge module-Left 9.Cabinet's leg long

- Pull out the screw covers and unscrew the decorative cover. See fig.5.1
- While holding the door firmly, loosen and remove the top hinge, lift up and remove the door. See fig.5.2
- Unscrew the lower hinge(8)
- Remove the long cabinet leg (9) on the left side, and shift it to the right end side. See fig.5.3
- Install the lower hinge and tie it with the bolts.
- Install the door on the axe of lower hinge (8) the same way it was removed, screw back the top hinge on the left.
- Fix back the decorative cover and rubber cover.

## Change of hinge side - W45.

The door can be changed from right-hinged to left-hinged and vice versa as follows:

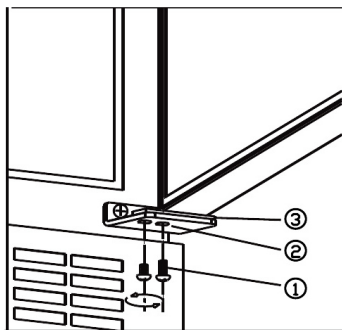


fig. 6.1

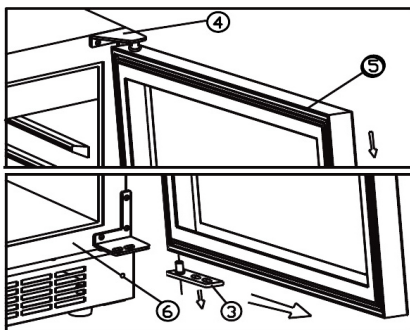


fig. 6.2

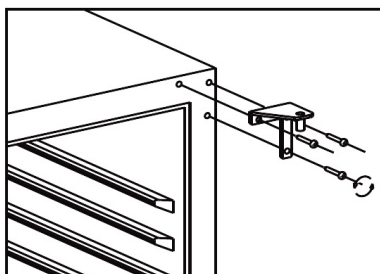


fig. 6.3

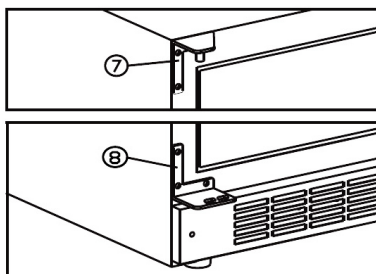


fig. 6.4

1) Screw 2) Bottom hinge, right 3) Door pin 4) Top hinge, right 5) Door  
6) Cabinet 7) Top hinge, left 8) Bottom hinge, left

- Ensure that the cabinet is not connected to the mains and place the cabinet on the back
- Dismount the screws (1) SUPPORT THE DOOR! See fig. 6.1
- Dismount the door by pulling it forwards and free from the top hinge. See fig. 6.2
- Dismount the right top hinge and save it for later use. See fig. 6.3
- Mount the left top and bottom hinge enclosed (7 + 8). See fig. 6.4
- Remount the door pin previously dismounted (3) in the bottom hinge
- Mount the door in the top hinge (7) towards the door pin (3), tighten the door pin (1)
- Lift up the cabinet again and wait 1 hour before connecting it to the mains to avoid oil in the cooling system

# Operation and function W32 and W45

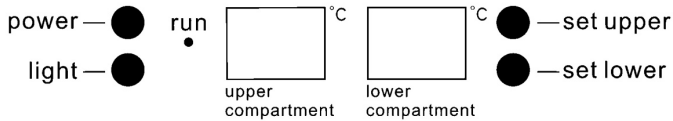


fig. 7

## Electronic control

The electronic control ensures that the set temperatures are maintained in the cabinet compartments. This is accomplished by complex control of the refrigerating system, the heating element, and the fan. Following any power failure, the temperature setting is reverted to factory defaults:

Upper compartment: 6°C  
Lower compartment: 12°C

The electronic controls have the following functions:

- Temperature setting
- Temperature display
- Automatic defrosting
- High and low temperature alarm
- Light on/off
- Cabinet on/off (push and hold for 3 secs)

## Temperature display

The display shows the actual temperature in the compartments. The temperature display has a built-in filter that simulates the actual temperature in the bottles. The displayed temperature is therefore not affected by transient fluctuations in air temperature.

## Temperature setting

The temperature is set by using the two buttons on the control panel. By pushing a temperature button, the display changes from actual temperature to set value. By pushing the button repeatedly, the set value scrolls through the available temperature span.

The temperature in the upper compartment is adjustable from 5-10 °C. The temperature in the lower compartment is adjustable from 10-18 °C.

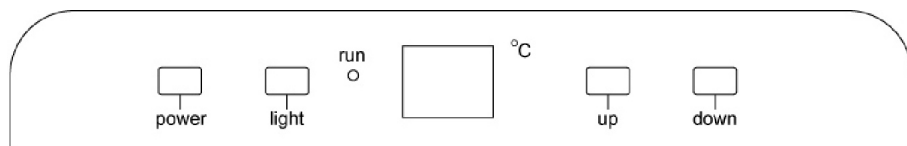
## Temperature alarm

If the temperature has deviated 3°C from the chosen set value for at least 1 hour, the display flashes and Lo / actual respectively Hi / actual temperature are alternately shown.

It is recommended that wine be served at a temperature which is a couple of degrees lower than the desired drinking temperature as the wine will be warmed slightly when it is poured into the glass.



## Operation and function W38.



### Electronic control

The electronic control ensures that the set temperatures are maintained in the cabinet compartments. This is accomplished by complex control of the refrigerating system, the heating element, and the fan. Following any power failure, the temperature setting is reverted to factory defaults:

Left compartment: 7°C

Right compartment: 12°C

The electronic controls have the following functions:

- Temperature setting
- Temperature display
- Automatic defrosting
- High and low temperature alarm
- Light on/off
- Cabinet on/off (push and hold for 3 secs)

### Temperature display

The display shows the actual temperature in the compartments. The temperature display has a built-in filter that simulates the actual temperature in the bottles. The displayed temperature is therefore not affected by transient fluctuations in air temperature.

### Temperature setting

The temperature is set using the two buttons on the control panel. When pushing a temperature button, the display changes from actual temperature to set value. After this, it is possible to change the set value. Up = temperature up  
Down = temperature down

The temperature in both compartments is adjustable from 5-18 degree Celcius.

The new set value is automatically stored after 5 seconds of inactivity and the display switches back and shows the actual temperature again.

### Temperature alarm

If the temperature has deviated 3°C from the chosen set value for at least 1 hour, the display flashes and Lo / actual respectively Hi / actual temperature are alternately shown.

It is recommended that wine be served at a temperature which is a couple of degrees lower than the desired drinking temperature as the wine will be warmed slightly when it is poured into the glass.

## Defrosting, cleaning, and maintenance.

### Automatic defrosting

The wine cooler is defrosted automatically. Defrost water runs through a pipe and is collected in a tray above the compressor where the heat generated by the compressor causes it to evaporate.

### Cleaning

Before cleaning the appliance, unplug it from the main supply. The cabinet is best cleaned using warm water (max. 65°C) with a little mild detergent. Never use cleaning agents that scour. Use a soft cloth. Rinse with clean water and dry thoroughly. Never use sharp or pointed implements. Avoid unnecessary cleaning of the wooden shelves, as these are made of untreated natural material. Cleaning agents may discolour the shelves.

The sealing strip around the door must be cleaned regularly to prevent discolouration and prolong service life. Use clean water. After cleaning the sealing strip, check that it continues to provide a tight seal.

Dust collecting on the condenser underneath the cabinet, on the compressor and in the compressor compartment is best removed using a vacuum cleaner.

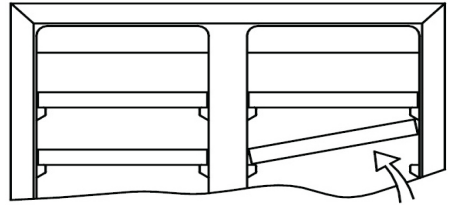
### Replacing the lighting

Light-emitting diodes designed to last the entire service life of the appliance are used. If it, however, becomes necessary to replace the light source, please call for service.

#### CLASS 1 LED PRODUCT

### Removing the shelves

Push the shelf all the way back and tip it. It is now possible to remove the shelf.



## Fault finding.

Fault	Possible cause	Remedy
The appliance is not running	<p>The appliance is switched off.</p> <p>Power failure; the fuse is blown; the appliance is not plugged in correctly.</p>	<p>Press the on/off switch.</p> <p>Check that power is connected. Reset the fuse.</p>
Water collects in the bottom of the cabinet.	The defrost water pipe is blocked.	Clean the defrost water channel and the drain hole on the rear wall of the cabinet.
Vibration or bothersome noise.	<p>The appliance is not level.</p> <p>The appliance is resting against other kitchen elements.</p> <p>Containers or bottles inside the cabinet are rattling against one another.</p>	<p>Level the appliance using a spirit level.</p> <p>Move the appliance away from the kitchen elements or appliances it is in contact with.</p> <p>Move containers and/or bottles apart.</p>
Compressor runs continuously.	High room temperature.	Ensure adequate ventilation.

# Warranty, spare parts and service.

## Warranty disclaimer

Faults and damage caused directly or indirectly by incorrect operation, misuse, insufficient maintenance, incorrect building, installation or mains connection. Fire, accident, lightning, voltage variation or other electrical interference, including defective fuses or faults in mains installations are not covered by the warranty.

Repairs performed by others than approved service centres and any other faults and damage that the manufacturer can substantiate are caused by reasons other than manufacturing or material faults are not covered by the warranty.

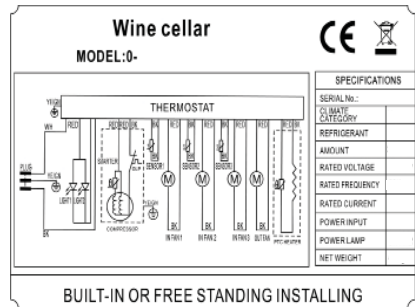
Please note that changes to the construction of the appliance or changes to the component equipment of the appliance will invalidate warranty and product liability, and the appliance cannot be used lawfully. The approval stated on rating plate will also be invalidated.

Transport damage discovered by the buyer is primarily a matter to be settled between the buyer and the distributor, i.e. the distributor must ensure that such complaints are resolved to the buyer's satisfaction.

Before calling for technical assistance, please check whether you are able to rectify the fault yourself. (see the fault finding list) If your request for assistance is unwarranted, e.g. if the appliance has failed as a result of a blown fuse or incorrect operation, you will be charged the costs incurred by your call for technical assistance.

## Spare parts

When ordering spare parts, please state the type, serial and production numbers of your appliance. This information is given on the rating plate. The rating plate contains various technical information, including type and serial numbers.



Note: Always use approved service centres when your appliance is to be repaired or replaced!

# Disposal

## *Information for Users on Collection and Disposal of Old Equipment and used Batteries*



These symbols on the products, packaging, and/or accompanying documents mean that used electrical and electronic products and batteries should not be mixed with general household waste. For proper treatment, recovery and recycling of old products and used batteries, please take them to applicable collection points, in accordance with your national legislation and the Directives 2002/96/EC and 2006/66/EC.

By disposing of these products and batteries correctly, you will help to save valuable resources and prevent any potential negative effects on human health and the environment which could otherwise arise from inappropriate waste handling.

For more information about collection and recycling of old products and batteries, please contact your local municipality, your waste disposal service or the point of sale where you purchased the items.

Penalties may be applicable for incorrect disposal of this waste, in accordance with national legislation.



### **For business users in the European Union.**

If you wish to discard electrical and electronic equipment, please contact your dealer or supplier for further information.

### **[Information on Disposal in other Countries outside the European Union]**

These symbols are only valid in the European Union. If you wish to discard this product, please contact your local authorities or dealer and ask for the correct method of disposal.

### **Note for the battery symbol (bottom two symbol examples):**



This symbol might be used in combination with a chemical symbol. In this case it complies with the requirement set by the Directive for the chemical involved.

## Warnung.

Falls dieses Gerät Kohlenwasserstoff-Kältemittel enthält, sehen Sie bitte die untenstehenden Richtlinien.

Da ein brennbares Gas als Kältemittel in diesem Gerät dient, ist es wichtig sicherzustellen, dass kein Teil des Kühlkreislaufs oder der Röhren beschädigt ist.

Der Standard EN378 spezifiziert, dass der Raum, in dem das Gerät installiert wird, ein Volumen von 1m<sup>3</sup> pro 8 g Kohlenwasserstoff-Kältemittel, das im Gerät verwendet ist, haben soll. Dies ist zu beachten, um die Bildung von leicht entzündlichen Gasgemischen in dem Raum, wo das Gerät installiert ist, zu vermeiden, falls eine Undichtigkeit des Kühlkreislaufs entsteht. Die Menge von Kältemittel im Gerät ist auf dem Typenschild angegeben.

**WARNUNG:** Decken Sie die Lüftungsöffnungen im Kabinett am Gerätes oder am Einbaumodul nicht ab.

**WARNUNG:** Verwenden Sie keine anderen mechanischen Geräte oder Hilfsmittel um den Entfrostsprozess zu beschleunigen, als die Geräte, die vom Hersteller empfohlen sind.

**WARNUNG:** Beschädigen Sie nicht den Kühlkreislauf.

**WARNUNG:** Verwenden Sie keine elektrischen Geräte im Gerät, es sei denn, dass die Geräte vom Hersteller empfohlen sind.

**WARNUNG:** Das Gerät nicht dem Regen aussetzen.

**WARNUNG:** Das Gerät ist nicht für den Gebrauch durch kleine Kinder bestimmt, es sei denn, dass es ausreichend von einer verantwortlichen Person überprüft ist, dass sie das Gerät vertretbar verwenden können. Kleine Kinder müssen beaufsichtigt werden, um sicherzustellen, dass sie nicht mit dem Gerät spielen. Der Schlüssel ist an einer separaten Stelle und unzugänglich für Kinder aufzubewahren.

- Vor Reparatur oder Reinigung des Gerätes den Netzstecker von der Steckdose ziehen.
- Wenn die Anschlussleitung beschädigt ist, muss sie nur vom Hersteller, dem Serviceagent des Herstellers oder einem anderen Fachmann ausgewechselt werden, um Gefahr zu vermeiden.
- Bildung von Reif auf der inneren Verdampferplatte und den obersten Teile ist normal. In Verbindung mit Reinigung oder Wartung muss das Gerät deshalb entfrosten werden.
- Beachten Sie bitte, dass Änderungen der Konstruktion dieses Gerätes zur Folge haben, dass die Garantie und Produkthaftung erlöschen.
- Dieses Gerät ist ausschließlich zur Lagerung von Wein bestimmt

## Inhalt.

Warning .....	2
Vor dem Gebrauch. ....	3
Technische Daten .....	3
Lernen Sie Ihren Kühlschrank kennen. ...	4
Inbetriebnahme und Installation .....	4
Wendbare Tür.....	6-7
Bedienung und Funktion.....	8-9
Abtauen, Reinigung und Wartung .....	10
Fächer abmontieren .....	10
Fehlersuche.....	11
Reklamation, Ersatzteile und Service.....	12
Entsorgung .....	13

**Vielen Dank** für Ihre Wahl dieses Weinkühlschranks. Beachten Sie bitte, dass die Bedienungsanleitung für alle Weinkühlschränke der Compact Weinserie gilt. Darum entsprechen Abbildungen und Ausstattung nicht in jedem Fall genau Ihrem Gerät.

## Vor dem Gebrauch.

Vor dem Gebrauch Ihres neuen Geräts sollten Sie diese Bedienungsanleitung gründlich lesen. Sie enthält wichtige Informationen zu Sicherheit, Installation, Betrieb und Wartung. Bewahren Sie die Bedienungsanleitung auf. Sie könnten sie zu einem späteren Zeitpunkt eventuell benötigen.

Kontrollieren Sie das Gerät sofort bei Lieferung auf eventuelle Beschädigungen. Transportschäden sind dem Händler zu melden, bevor das Gerät in Gebrauch genommen wird. Verpackung entfernen. Das Schrankinnere mit lauwarmem Wasser und etwas mildem Spülmittel reinigen. Mit klarem Wasser nachwischen und gründlich trocknen (siehe "Reinigung"). Verwenden Sie ein weiches Tuch.

Falls das Gerät liegend transportiert wurde oder einer Temperatur von weniger als +5 °C ausgesetzt war, muss es vor dem Einschalten mindestens eine Stunde lang bei höherer Außentemperatur aufrecht stehen.

## Technische Daten.

Dieses Gerät entspricht den einschlägigen EU-Richtlinien einschließlich:

Niederspannungsrichtlinie 2006/95/EEC  
Elektromagnetische Kompatibilitätsrichtlinie 2004/108/EC

Das Typenschild, das sich im Gerät befindet, enthält verschiedene technische Angaben sowie Typen- und Seriennummer.

# Lernen Sie Ihren Weinschrank kennen.

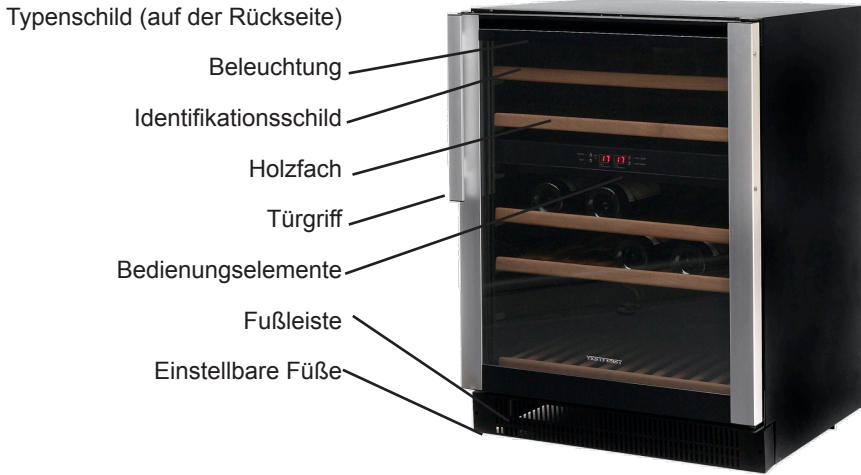


Abb.1

## Inbetriebnahme und Installation.

### Aufstellort

Aus Sicherheits- und betriebstechnischen Gründen darf das Gerät nicht im Freien aufgestellt werden.

Stellen Sie den Schrank auf einen ebenen Untergrund in einem trockenen, gut belüfteten Raum (max. 75 % relative Luftfeuchtigkeit). Stellen Sie den Schrank nicht in unmittelbarer Nähe von Wärmequellen wie Herden oder Heizkörpern auf, und vermeiden Sie direkte Sonneneinstrahlung oder Wärme von anderen Wärmequellen.

### Raumtemperatur

Die Klimaklasse finden Sie auf dem Typenschild (siehe Abb. 1 Seite 3 und Abb. 11 Seite 12). Sie gibt an, innerhalb welcher Raumtemperaturbereiche der Kühlschrank optimal arbeitet.

Klimaklasse	Zulässige Raumtemperatur
SN	+10 °C bis +32 °C
N	+16 °C bis +32 °C
ST	+18 °C bis +38 °C
T	+18 °C bis +43 °C



## Installation

Die Unterlage zum Aufstellen des Schrankes muss eben sein. Verwenden Sie keinen Rahmen o.ä. Es ist wichtig, dass das Gerät ganz waagrecht steht. Der Schrank kann durch Drehen der einstellbaren FüÙe vorne ausgerichtet werden (siehe Abb. 2). Prüfen Sie mit einer Wasserwaage nach, ob der Schrank waagrecht steht.

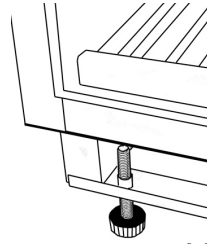


Abb. 2

## Einbau

Der Schrank **W32** kann nur frei stehen. Erforderliche Belüftung über und unter sowie seitlich vom Schrank ist sicherzustellen (Abb. 4).

Die Schränke **W45 und W38** können in ein Küchenelement eingebaut werden oder frei stehen (Abb. 3). Beim Einbau ist genügende Luftströmung durch den Küchensockel vor dem Gerät sicherzustellen. Das totale Areal der Luftöffnungen ist wie in Abb. 3 sicherzustellen. Die einzelne Luftöffnung muss mindestens 5 mm sein.

Das mitgelieferte Gitter kann mit den mitgelieferten Schrauben (lose im Aussenbeutel) als Sockelleiste montiert werden.

Die beigelegte Fußleiste soll nicht montiert werden, wenn das Gerät hinter dem Küchensockel eingebaut werden soll.

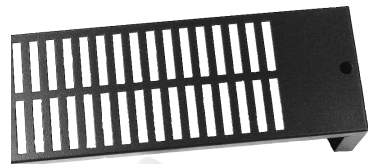


Abb. 2\_1

Wenn gewünscht kann das Gerät mit dem Inhalt des Beutels (Abb.. 2\_1) an der Arbeitsplatte befestigt werden.

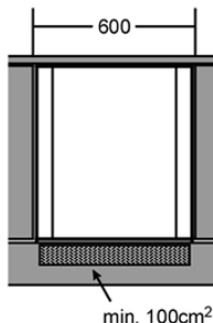
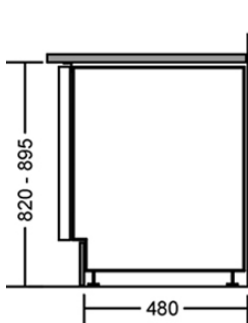


Abb. 3

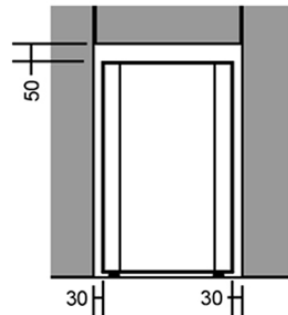


Abb. 4

## Wendbare Tür W32.

Die Tür kann folgendermaßen von rechts angeschlagen auf links angeschlagen und umgekehrt umgebaut werden:

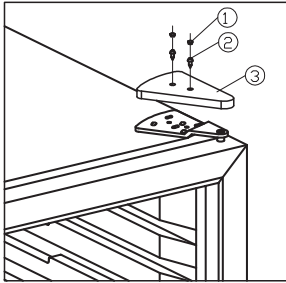


Abb. 5.1

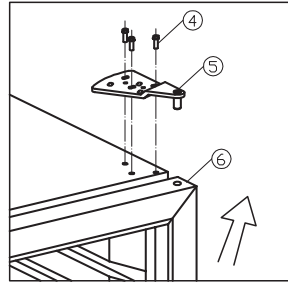


Abb. 5.2

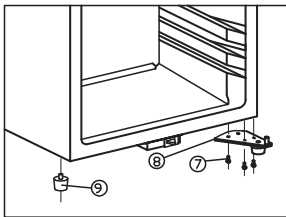


Abb. 5.3

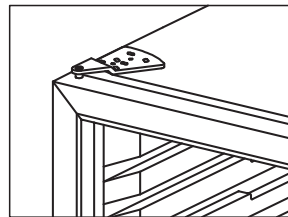


Abb. 5.4

1) Gummipropfen 2) Schraube 3) Scharnierabdeckung 4+7) Schraube 5) Oberes Scharnier  
6) Tür 7) Unteres Scharnier 8) Gehäufuss, lang

- Die Schrauben und die Scharnierabdeckung entfernen. Siehe Abb. 5.1
- Während Sie die Tür festhalten das obere Scharnier abmontieren und die Tür hochheben. Abb. 5.2
- Das untere Scharnier abmontieren.(8)
- Entferne den langen Gehäufuss auf der linken Seite und montiere ihn rechts. Abb. 5.3
- Montiere das untere Scharnier an der linken Seite.
- Setze die Tür auf das untere Scharnier und montiere das obere Scharnier auf der linken Seite. Abb. 5.4
- Montiere die Scharnierabdeckung und die Gummipropfen.

## Wendbare Tür W45.

Die Tür kann folgendermaßen von rechts angeschlagen auf links angeschlagen und umgekehrt umgebaut werden:

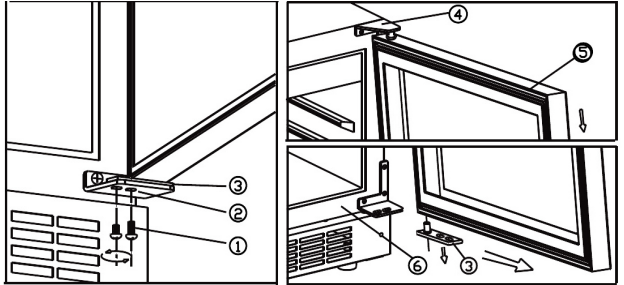


Abb. 6.1

Abb. 6.2

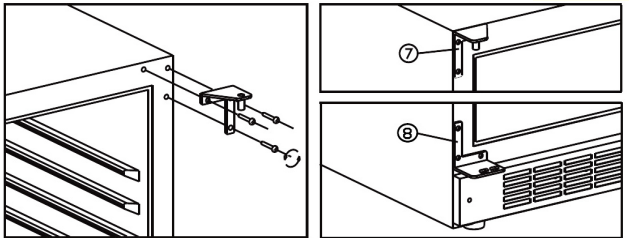


Abb. 6.3

Abb. 6.4

1) Schraube 2) Unteres Scharnier, rechts 3) Türzapfen 4) Oberes Scharnier, rechts 5) Tür  
6) Gehäuse 7) Oberes Scharnier, links 8) Unteres Scharnier, links

- Sicherstellen, daß der Schrank nicht an den Strom angeschlossen ist und den Schrank auf den Rücken legen
- Die Schrauben abmontieren (1) TÜR UNTERSTÜTZEN! Siehe Abb. 6.1
- Die Tür hervorziehen und vom oberen Scharnier abmontieren. Siehe Abb. 6.2
- Das rechte, obere Scharnier abmontieren und für späteren Gebrauch aufbewahren. Siehe Abb. 6.3
- Das beigelegte, linke, obere und untere Scharnier montieren (7 + 8). Siehe Abb. 6.4
- Den früher abmontierten Türzapfen (3) in das untere Scharnier einsetzen
- Die Tür im oberen Scharnier (7) und gegen den Türzapfen montieren (3), den Türzapfen festschrauben (1)
- Den Schrank wieder aufstellen und 1 Stunde warten, bevor Sie Strom anschließen, um Öl im Kühlsystem zu vermeiden

## Bedienung und Funktion W32 und W45.

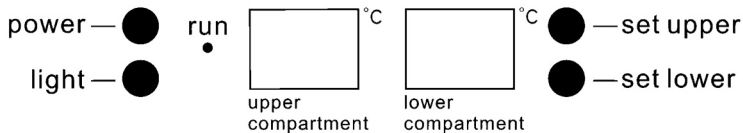


Abb. 7

### Elektronische Steuerung

Die elektronische Steuerung sorgt dafür, dass die eingestellte Temperatur in den Fächern eingehalten wird. Dies wird durch eine ausgeklügelte Steuerung von Kälteanlage, Heizelement und Lüfter erreicht. Bei einem eventuellen Netzausfall wird die eingestellte Temperatur auf Werkseinstellung zurückgesetzt:

Obere Abteilung: 6°C

Untere Abteilung: 12°C

Die elektronische Steuerung hat folgende Funktionen:

- Temperatureinstellung
- Temperaturanzeige
- Automatisches Abtauen
- Alarm bei hoher und niedriger Temperatur
- Licht Ein-/Ausshalter
- Schrank Ein-/Ausshalter (Die Taste 3 Sekunden betätigen)

### Temperatur-Anzeige

Am Display wird die aktuelle Temperatur in den Fächern angezeigt. Die Temperaturanzeige ist mit einem eingebauten Filter ausgestattet, das die aktuelle Flaschentemperatur simuliert, weshalb die Anzeige nicht auf kurzzeitige Änderungen der Lufttemperatur reagiert.

### Temperatureinstellung

Die Schranktemperaturen werden in den beiden Tasten auf der elektronischen Steuerung eingestellt. Durch Betätigen der Temperaturtaste, wechselt das Display zwischen den aktuellen Istwert und den Sollwert. Durch wiederholte Betätigung der Taste wird durch die Sollwerten innerhalb des verfügbaren Temperaturbereichs gerollt.

Die Temperatur der oberen Abteilung kann zwischen 5 und 10 Grad Celcius eingestellt werden.

Die Temperatur der unteren Abteilung kann zwischen 10 und 18 Grad Celcius eingestellt werden.

### Temperaturalarm

Weicht die Temperatur 3°C vom gewählten Sollwert für mindestens eine Stunde ab, wird Lo/aktuelle Temperatur beziehungsweise Hi/aktuelle Temperatur abwechselnd und blinkend angezeigt.

Es empfiehlt sich, die Weine ein paar Grade kälter als die gewünschte Trinktemperatur zu servieren, da sich der Wein beim Einschicken ins Glas etwas erwärmt.

## Bedienung und Funktion W38.

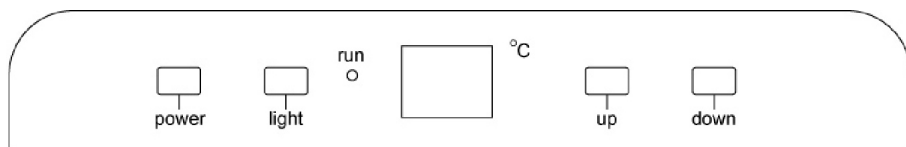


Abb. 8

### Elektronische Steuerung

Die elektronische Steuerung sorgt dafür, dass die eingestellte Temperatur in den Fächern eingehalten wird. Dies wird durch eine ausgeklügelte Steuerung von Kälteanlage, Heizelement und Lüfter erreicht. Bei einem eventuellen Netzausfall wird die eingestellte Temperatur auf Werkseinstellung zurückgesetzt:

Linke Abteilung: 7°C

Rechte Abteilung: 12°C

Die elektronische Steuerung hat folgende Funktionen:

- Temperatureinstellung
- Temperaturanzeige
- Automatisches Abtauen
- Alarm bei hoher und niedriger Temperatur
- Licht Ein-/Ausshalter
- Schrank Ein-/Ausshalter (Die Taste 3 Sekunden betätigen)

### Temperatur-Anzeige

Am Display wird die aktuelle Temperatur in den Fächern angezeigt. Die Temperaturanzeige ist mit einem eingebauten Filter ausgestattet, das die aktuelle Flaschentemperatur simuliert, weshalb die Anzeige nicht auf kurzzeitige Änderungen der Lufttemperatur reagiert.

### Temperatureinstellung

Die Schranktemperaturen werden mit den beiden Tasten auf der elektronischen Steuerung eingestellt. Durch Betätigen der Temperaturtaste, wechselt das Display zwischen den aktuellen Istwert und den Sollwert. Danach kann die eingestellte Temperatur geändert werden.

UP = wärmer

DOWN = kälter

Die Temperatur der beiden Abteilungen kann zwischen 5 und 18 Grad Celcius eingestellt werden. Nach 5 Sekunden Inaktivität wird die neue eingestellte Temperatur automatisch gelagert, und das Display wechselt auf aktuelle Istwert zurück.

### Temperaturalarm

Weicht die Temperatur 3°C vom gewählten Sollwert für mindestens eine Stunde ab, wird Lo/aktuelle Temperatur beziehungsweise Hi/aktuelle Temperatur abwechselnd und blinkend angezeigt.

Es empfiehlt sich, die Weine ein paar Grade kälter als die gewünschte Trinktemperatur zu servieren, da sich der Wein beim Ein-schenken ins Glas etwas erwärmt.

# Abtauen, Reinigung und Wartung.

## Automatisches Abtauen

Der Weinschrank wird automatisch abgetaut. Das Tauwasser läuft durch ein Rohr in die Tauwasserschale, die sich auf dem Kompressor befindet. Das Wasser verdampft durch die Betriebswärme des Kompressors.

## Reinigung

Zum Reinigen des Schrankinneren den Netzstecker von der Steckdose ziehen. Eine Mischung aus warmem Wasser und Spülmittel (max. 65 °C) ist dazu am besten geeignet. Verwenden Sie keine Reinigungsmittel, die Kratzer verursachen können. Verwenden Sie ein weiches Tuch. Mit klarem Wasser nachwischen und gut abtrocknen. Niemals scharfkantige oder spitze Gegenstände verwenden. Vermeiden Sie unnötiges Waschen der Holzfächer, als sie von unverarbeiteten Naturmaterialien hergestellt sind. Reinigungsmittel kann die Fächer verfärben.

Die Türdichtungsleiste muss regelmäßig gereinigt werden, um Verfärbungen zu vermeiden und lange Haltbarkeit zu gewährleisten. Klares Wasser verwenden. Nach der Reinigung der Türdichtungsleiste prüfen, ob sie dicht schließt.

Vom Verflüssiger unter dem Schrank, Kompressor und Kompressorraum den Staub am besten mit einem Staubsauger entfernen.

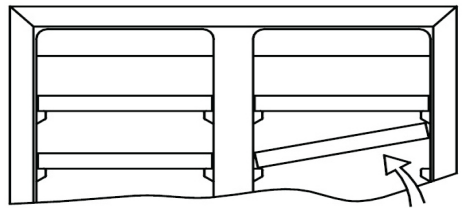
## Austausch der Beleuchtung

Lichtdioden, die dafür dimensioniert sind, die ganze Lebensdauer des Geräts zu bestehen, werden angewendet. Wird es trotzdem notwendig, die Lichtquelle auszuwechseln, bitte Service hinzuziehen.

### CLASS 1 LED PRODUCT

## Fächer ausnehmen

Das Fach ganz zurück schieben und kippen. Das Fach kann jetzt herausgezogen werden.



## Fehlersuche.

<b>Fehler</b>	<b>Mögliche Ursache</b>	<b>Abhilfe</b>
Der Schrank reagiert nicht.	Der Schrank ist abgeschaltet.  Stromausfall; Sicherung hat angesprochen; Netzstecker ist nicht richtig eingesteckt.	Ein-/Ausschalter betätigen.  Prüfen, ob der Strom angeschlossen ist. Die Sicherung muss intakt/eingeschaltet sein.
Es läuft Wasser auf den Boden des Kühlschranks.	Das Tauwasserabflussrohr ist verstopft.	Tauwasserrinne und Abflussloch in der Rückwand reinigen.
Vibrationen oder störende Geräusche.	Der Schrank steht schief.  Der Schrank berührt andere Küchenelemente.  Behälter oder Flaschen im Schrank berühren sich.	Schrank mit einer Wasserwaage ausrichten.  Schrank von den Küchenelementen oder Geräten abrücken, die er berührt.  Für Abstände zwischen Flaschen und/oder Behältern sorgen.
Der Kompressor läuft ständig.	Hohe Raumtemperatur.	Für gute Belüftung sorgen.

## Reklamation, Ersatzteile und Service.

Der Lieferant haftet nicht für Fehler oder Schäden, die direkt oder indirekt durch Fehlbedienung, Missbrauch, mangelhafte Wartung, fehlerhaften Einbau, fehlerhafte Aufstellung oder fehlerhaften Anschluss sowie Feuer, Unfall, Blitzschlag, Spannungsänderungen oder andere elektrische Störungen – wie z.B. defekte Sicherungen oder Fehler in der Netzinstallation – sowie von anderen als den von dem Lieferanten vorgeschriebenen

Reparaturbetrieben ausgeführten Reparaturen verursacht wurden, und allgemein nicht für Fehler und Schäden, die der Lieferant nachweislich auf andere Ursachen als Fabrikations- und Materialfehler zurückführen kann. Diese Fehler oder Schäden fallen nicht unter das Reklamationsrecht.

Transportschäden, die der Anwender feststellt, sind primär eine Sache zwischen ihm und dem Händler, d.h. der Händler hat den Anwender zufrieden zu stellen.

Bevor Sie den Kundendienst rufen, prüfen Sie bitte, ob Sie den Fehler selbst beheben können (siehe Fehlersuche). Ist Ihr Hilfeverlangen unberechtigt, beispielsweise weil das Versagen des Geräts auf eine defekte Sicherung oder Fehlbedienung zurück zu führen ist, gehen die Kosten für den Servicebesuch zu Ihren Lasten.

### Ersatzteile

Bitte bei der Ersatzteilbestellung Typ- und Seriennummer sowie Produktionsnummer angeben. Diese Angaben finden Sie auf dem Typenschild.

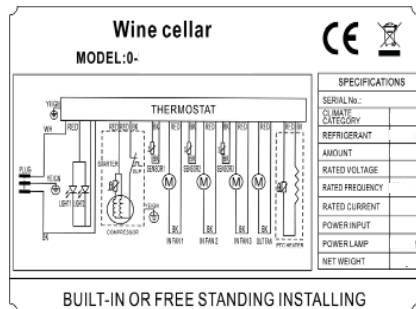


Abb. 11

Das Typenschild enthält verschiedene technische Angaben, u.a. auch Typ- und Seriennummer. Denken Sie daran! Stets nur autorisierte Handwerker zu beauftragen, wenn ein Teil repariert oder ausgewechselt werden muss!



# Entsorgung.

## Benutzerinformation zur Sammlung und Entsorgung von veralteten Geräten und benutzten Batterien.



Diese Symbole auf den Produkten, Verpackungen und/oder Begleitdokumenten bedeuten, dass benutzte elektrische und elektronische Produkte und Batterien nicht in den allgemeinen Hausmüll gegeben werden sollen. Bitte bringen Sie diese alten Produkte und Batterien zur Behandlung, Aufarbeitung bzw. zum Recycling gemäß Ihrer Landesgesetzgebung und den Richtlinien 2002/96/EG und 2006/66/EG zu Ihren zuständigen Sammelpunkten.

Indem Sie diese Produkte und Batterien ordnungsgemäß entsorgen, helfen Sie dabei, wertvolle Ressourcen zu schützen und eventuelle negative Auswirkungen auf die menschliche Gesundheit und die Umwelt zu vermeiden, die anderenfalls durch eine unsachgemäße Abfallbehandlung auftreten können.

Wenn Sie ausführlichere Informationen zur Sammlung und zum Recycling alter Produkte und Batterien wünschen, wenden Sie sich bitte an Ihre örtlichen Verwaltungsbehörden, Ihren Abfallentsorgungsdienstleister oder an die Verkaufseinrichtung, in der Sie die Gegenstände gekauft haben.

Gemäß Landesvorschriften können wegen nicht ordnungsgemäßer Entsorgung dieses Abfalls Strafge­lder verhängt werden.



## Für geschäftliche Nutzer in der Europäischen Union.

Wenn Sie elektrische oder elektronische Geräte entsorgen möchten, wenden Sie sich wegen genauerer Informationen bitte an Ihren Händler oder Lieferanten.

### [Informationen zur Entsorgung in Ländern außerhalb der Europäischen Union]

Diese Symbole gelten nur innerhalb der Europäischen Union. Bitte treten Sie mit Ihrer Gemeindeverwaltung oder Ihrem Händler in Kontakt, wenn Sie dieses Produkt entsorgen möchten, und fragen Sie nach einer Entsorgungsmöglichkeit.



### Hinweis zum Batteriesymbol (unten zwei Symbolbeispiele):

Dieses Symbol kann in Kombination mit einem chemischen symbol verwendet werden. In diesem Fall erfüllt es die Anforderungen derjenigen Richtlinie, die für die betreffende Chemikalie erlassen wurde.

## Avertissement.

Puisque l'appareil contient un réfrigérant inflammable, il est essentiel de s'assurer que les conduits du fluide réfrigérant ne sont pas endommagés. La norme EN378 précise que la pièce dans laquelle vous installez votre appareil doit posséder un volume de 1 m<sup>3</sup> par 8 g de réfrigérant avec des hydrocarbures utilisés dans l'appareil afin d'éviter la formation de mélanges gaz/air inflammable dans la pièce où l'appareil est installé dans le cas où il y aurait une fuite dans le circuit réfrigérant. La quantité de réfrigérant utilisée dans votre appareil est indiquée sur la plaque signalétique.

**AVERTISSEMENT:** Gardez les orifices de ventilation, situés sur la carrosserie de l'appareil ou autour de l'appareil, libres de toute obstruction

**AVERTISSEMENT:** Ne pas utiliser d'appareils mécaniques ou autres moyens pour accélérer la décongélation sauf ce qui est recommandé par le fabricant.

**AVERTISSEMENT:** Ne pas endommager le système de réfrigération.

**AVERTISSEMENT:** Ne pas utiliser d'appareils électriques à l'intérieur du compartiment de stockage sauf s'ils sont recommandés par le fabricant.

**AVERTISSEMENT:** L'appareil ne doit pas être exposé à la pluie.

**AVERTISSEMENT:** Cet appareil n'est pas conçu pour une utilisation par de jeunes enfants ou des personnes handicapées sauf si elles sont sous la surveillance d'un adulte responsable. Les enfants ne doivent pas jouer avec l'appareil.

- Conserver les clés dans un endroit hors de portée des enfants.
- Avant de faire l'entretien ou le nettoyage de l'appareil, débranchez-le de son alimentation.
- Si le câble d'alimentation est endommagé, il doit être remplacé par le fabricant, des représentants ou des professionnels agréés afin d'éviter les dangers.
- La formation de givre sur les parois intérieures de l'évaporateur et les parties supérieures est un phénomène naturel et normal. Retirez le givre avec un chiffon sec.
- Prenez note que toute modification de l'appareil annulera toutes les garanties et la responsabilité du fabricant.
- Cet appareil est destiné uniquement au stockage du vin

## Contents

Avertissement.....	2
Avant la mise en service.....	3
Caracteristiques techniques .....	3
Présentation de votre refroidisseur de bouteille.....	4
Installation et mise en service.....	4
Inversion du sens d'ouverture de la porte.....	5-6
Utilisation et fonctionnement .....	8-9
Dégivrage, nettoyage et entretien .....	10
Retrait des clayettes .....	10
Recherche de pannes .....	11
Garantie, pièces de rechange et service après-vente.....	12
Mise au rebut.....	13

**Nous vous remercions** d'avoir acheté cette cave à vin. Veuillez noter que ce mode d'emploi est valable pour toutes les caves à vin de la gamme Compact. En conséquence, les illustrations et raccordements peuvent ne pas correspondre exactement à votre modèle.

## Avant la mise en service

Avant de mettre en service votre nouvel appareil, lisez attentivement les instructions suivantes : elles contiennent des informations importantes sur la sécurité, l'installation, le fonctionnement et l'entretien de votre appareil. Conservez ce mode d'emploi pour pouvoir vous y reporter ultérieurement. A la réception, vérifiez que l'appareil n'a pas été endommagé pendant son transport. Tout dommage survenu pendant le transport doit être signalé au distributeur local avant la mise en service de la cave à vin.

Enlevez l'emballage. Nettoyez l'intérieur de l'appareil avec un mélange d'eau chaude et de détergent doux. Rincez à l'eau claire et séchez soigneusement (voir les instructions de nettoyage). Utilisez un chiffon doux. Si l'appareil a été couché pendant son transport, ou s'il a été stocké au froid (température inférieure à +5 °C), placez-le en position verticale pendant au moins une heure avant sa mise en service.

## Caracteristiques techniques

Ce dispositif est conforme aux directives de l'U.E. le concernant, y compris la Directive 2006/95/CEE sur la Basse Tension et la Directive 2004/108/CE sur la Compatibilité Electromagnétique.

La plaque signalétique placée à l'intérieur comporte divers renseignements techniques ainsi que le numéro de modèle et de série.

## Présentation de votre cave à vin.

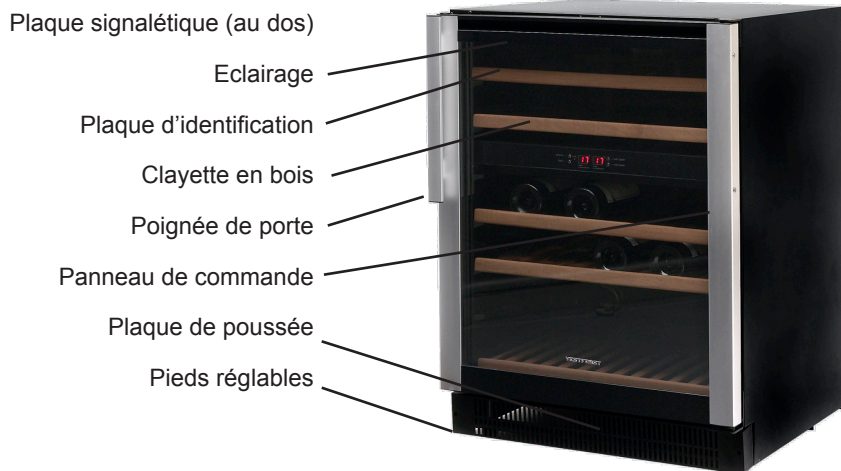


fig. 1

## Installation et mise en service.

### Mise en place

Pour des raisons de sécurité et de fonctionnement, l'appareil ne doit pas être installé à l'extérieur.

Placez l'appareil sur une surface plane, dans une pièce sèche et bien ventilée (max. 75 % d'humidité atmosphérique relative). Ne placez jamais l'appareil à proximité de sources de chaleur telles que cuisinières ou radiateurs, et évitez de le placer à la lumière directe du soleil.

### Température ambiante

La classe climatique figure sur la plaque signalétique (voir fig. 1 page 3 et fig. 11 page 12). Elle indique la température ambiante optimale.

Classe climatique	Température ambiante optimale
SN	+10 °C à +32 °C
N	+16 °C à +32 °C
ST	+18 °C à +38 °C
T	+18 °C à +43 °C

## Installation

La surface sur laquelle l'appareil est posé doit être plane. N'utilisez pas de cadre ou autre. Il est important que l'appareil soit parfaitement à niveau. A cette fin, tournez les pieds réglables situés à l'avant de l'appareil dans un sens ou dans l'autre (fig. 2). A l'aide d'un niveau à bulle, vérifiez que l'appareil est parfaitement à niveau.

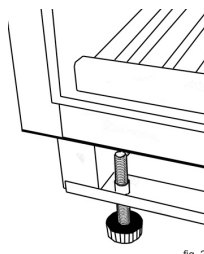


fig. 2

## Encastrement

Le modèle **W32** ne peut pas être encastré. Veillez à ce que l'air circule librement autour de l'appareil. (fig. 4)

Les modèles **W45 et W38** peuvent être encastrés dans un élément de cuisine ou bien installés comme unités indépendantes (fig. 3). Si l'appareil est encastré, assurez-vous que l'air circule librement au niveau de la plinthe posée devant l'appareil. La superficie totale de l'ouverture doit être comme décrite en fig. 3, et l'ouverture de chaque conduite d'air doit être de 5 mm au minimum.



fig. 2\_1

Le cache-socle ci-joint se monte à l'aide des deux vis détachées dans le sac extérieur (fig. 2\_1).

Le cache-socle ne doit pas être montée, si l'appareil est encastré derrière une plinthe.

Sur désir, le contenu du sac (fig. 2\_1) peut être utilisé pour fixer l'appareil à un dessus de table.

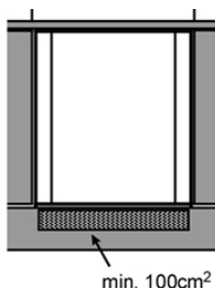
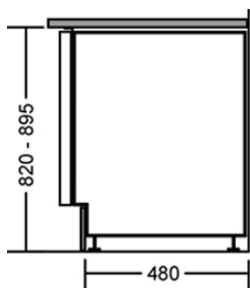


fig. 3

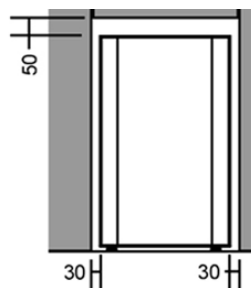


fig. 4

## Inversion du sens d'ouverture de la porte - W32

La porte peut s'ouvrir aussi bien à droite qu'à gauche ;  
pour modifier son sens d'ouverture, procédez comme suit :

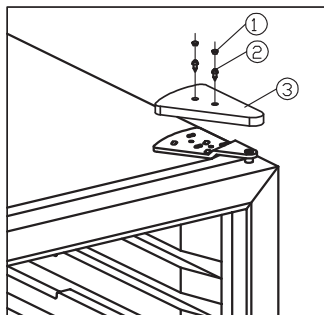


Abb. 5.1

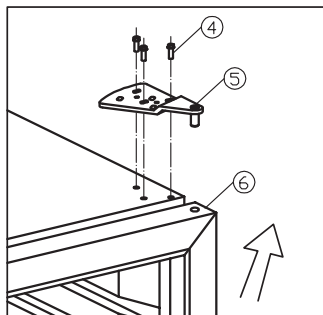


Abb. 5.2

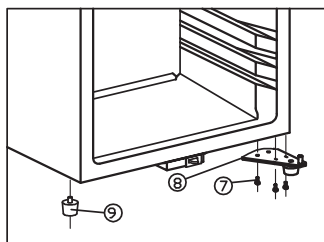


Abb. 5.3

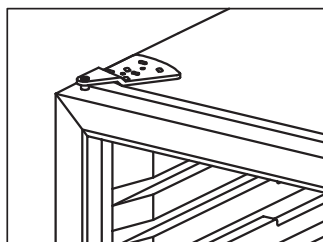


Abb. 5.4

1) Bouchon de caoutchouc 2) Vis 3) Cache-charnière 4 +7) Vis 5) Charnière supérieure 6) Porte 7) Vis 8) Pied d'armoire 9) Couvercle décoratif

- Retirez les couvercles de vis et dévissez le couvercle décoratif. Voir fig. 5.1
- En retenant fermement la porte, relâchez et enlevez la charnière du haut, soulevez et retirez la porte. Voir fig. 5.2
- Dévissez la charnière du bas (8)
- Retirer la longue patte du cabinet (9) du côté gauche et faites la passer du côté droit. Voir fig. 5.3
- Installez la charnière du bas et fixez là à l'aide des boulons.
- Installez la porte sur l'axe de la charnière du bas (8) de la même façon dont elle a été enlevée, vissez la charnière du haut sur le côté droit.
- Re-fixez le couvercle décoratif et le couvercle de caoutchouc.

## Inversion du sens d'ouverture de la porte - W45

La porte peut s'ouvrir aussi bien à droite qu'à gauche ;  
pour modifier son sens d'ouverture, procédez comme suit

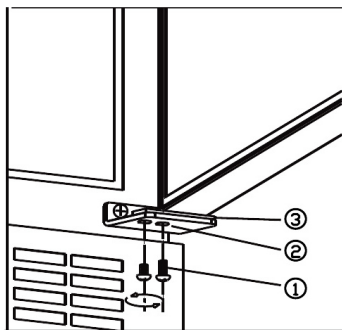


fig. 6.1

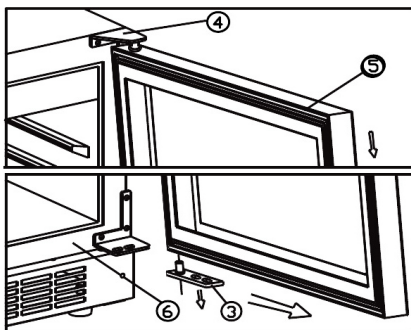


fig. 6.2

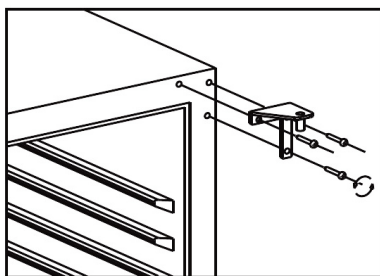


fig. 6.3

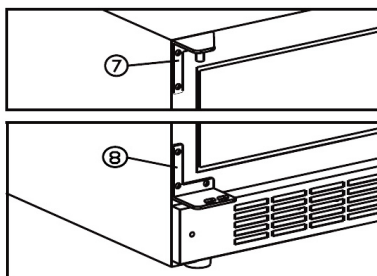


fig. 6.4

1) Vis 2) Charnière inférieure droite 3) Axe de porte 4) Charnière supérieure droite 5) Porte 6) Armoire 7) Charnière supérieure gauche 8) Charnière inférieure gauche

- Vérifiez que l'appareil n'est pas branché à l'alimentation secteur et placez-le sur le dos.
- Démontez les vis (1). **SOUTENEZ LA PORTE !** Voir fig. 6.1.
- Démontez la porte en tirant vers l'avant à l'opposé de la charnière supérieure. Voir fig. 6.2.
- Démontez la charnière supérieure droite et conservez-la. Voir fig. 6.3.
- Montez les charnières supérieure et inférieure gauches (7 + 8) fournies. Voir fig. 6.4.
- Remontez l'axe de porte précédemment démonté (3) dans la charnière inférieure.
- Montez la porte dans la charnière supérieure vers (7) l'axe de porte (3), serrez l'axe de porte (1).
- Relevez l'armoire et attendez 1 heure avant de la brancher à l'alimentation secteur pour éviter la présence d'huile dans le circuit de refroidissement.

## Utilisation et fonctionnement W32 et W45.

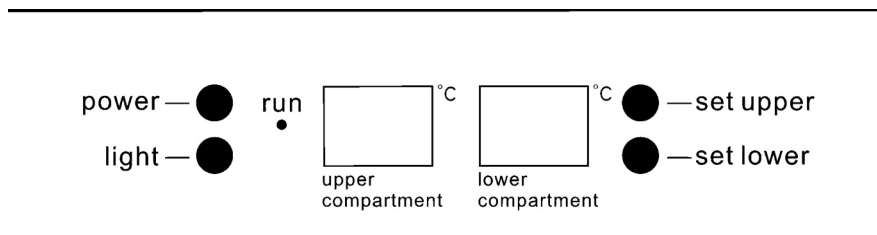


fig. 7

### Commande électronique

La commande électronique permet de maintenir constantes les températures programmées dans les compartiments de l'appareil. Cela est rendu possible grâce à un système perfectionné qui commande le circuit de réfrigération, l'élément chauffant et le ventilateur. Après une panne de courant, la température revient à la valeur programmée par défaut en usine :

Compartiment supérieur : 6°C

Compartiment inférieur : 12°C

Les commandes électroniques permettent de réaliser les fonctions suivantes :

- Réglage de la température
- Affichage de la température
- Dégivrage automatique
- Alarme de température haute/basse
- Marche/Arrêt de l'éclairage
- Mise sous/hors tension de la cave à vin (maintenir enfoncé pendant 3 s)

### Affichage de la température

L'écran affiche la température dans les compartiments. L'indicateur de température dispose d'un filtre intégré qui simule

la température immédiate à l'intérieur des bouteilles. C'est pourquoi la température affichée n'est pas affectée par les brèves variations de la température de l'air.

### Réglage de la température

Les deux boutons du panneau de commande permettent de régler la température. En appuyant sur un bouton de température, l'affichage passe de la température immédiate à la température programmée. En appuyant de manière répétée sur le bouton, la valeur programmée défile sur la plage des températures disponibles.

La température du compartiment supérieur peut être réglée entre 5 et 10 degrés Celsius. La température du compartiment inférieur peut être réglée entre 10 et 18 degrés Celsius.

### Alarme de température

Si la température s'est écartée 3°C de la valeur programmée pendant plus d'une heure, l'écran clignote et indique alternativement Lo / temp. réelle et Hi / température réelle.

Il est recommandé de servir le vin à une température inférieure de 2 degrés à la température de dégustation voulue car il se réchauffe légèrement lorsqu'il est versé dans le verre.



## Utilisation et fonctionnement W38.

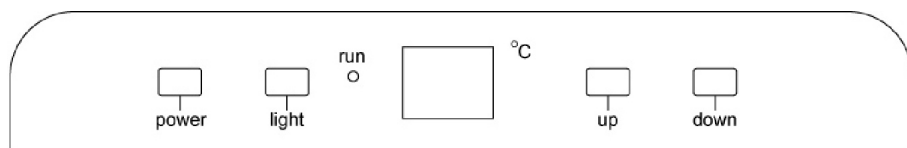


fig. 8

### Commande électronique

La commande électronique permet de maintenir constantes les températures programmées dans les compartiments de l'appareil. Cela est rendu possible grâce à un système perfectionné qui commande le circuit de réfrigération, l'élément chauffant et le ventilateur. Après une panne de courant, la température revient à la valeur programmée par défaut en usine :

Compartiment gauche : 7 °C

Compartiment droit : 12 °C

Les commandes électroniques permettent de réaliser les fonctions suivantes :

- Réglage de la température
- Affichage de la température
- Dégivrage automatique
- Alarme de température haute/basse
- Marche/Arrêt de l'éclairage
- Mise sous/hors tension de la cave à vin (maintenir enfoncé pendant 3 s)

### Affichage de la température

L'écran affiche la température dans les compartiments. L'indicateur de température dispose d'un filtre intégré qui simule la température immédiate à l'intérieur des bouteilles. C'est pourquoi la température affichée n'est pas affectée par les brèves variations de la température de l'air.

### Réglage de la température

Les deux boutons du panneau de commande permettent de régler la température. En appuyant sur un bouton de température, l'affichage passe de la température immédiate à la température programmée. Ensuite, il est possible de changer la valeur programmée.

UP = augmentation de la température

DOWN = réduction de la température

Dans les deux compartiments, la température peut être réglée entre 5 et 18 degrés Celcius.

La nouvelle valeur programmée est automatiquement enregistrée après 5 secondes d'inactivité, et l'écran affiche à nouveau la température immédiate.

### Alarme de température

Si la température s'est écartée 3°C de la valeur programmée pendant plus d'une heure, l'écran clignote et indique alternativement Lo / température réelle et Hi / température réelle.

Il est recommandé de servir le vin à une température inférieure de 2 degrés à la température de dégustation voulue car il se réchauffe légèrement lorsqu'il est versé dans le verre.

## Dégivrage, nettoyage et entretien.

### Dégivrage automatique

Le dégivrage de la cave à vin est automatique. L'eau de dégivrage s'écoule par un tuyau et elle est recueillie dans un bac situé au-dessus du compresseur. Elle s'évapore ensuite sous l'action de la chaleur dégagée par le compresseur.

### Nettoyage

Avant de nettoyer l'appareil, débranchez-le de son alimentation secteur. Les meilleurs résultats sont obtenus en utilisant un mélange d'eau chaude (max. 65 °C) et d'une faible quantité de détergent doux. N'utilisez jamais de produits de nettoyage abrasifs. Utilisez un chiffon doux. Rincez à l'eau claire et séchez soigneusement. N'utilisez jamais d'instruments pointus ou tranchants. Evitez tout nettoyage inutile des clayettes en bois, car elles sont réalisées dans un matériau naturel non traité. Les produits de nettoyage peuvent décolorer les clayettes.

Le joint d'étanchéité de la porte doit être régulièrement nettoyé pour éviter qu'il ne se décolore et pour prolonger sa durée de vie. Utilisez de l'eau claire. Après avoir nettoyé le joint d'étanchéité de la porte, vérifiez qu'il joue toujours son rôle.

Utilisez un aspirateur pour enlever la poussière accumulée sur le condensateur situé sous la cave à vin, sur le compresseur et dans le compartiment du compresseur.

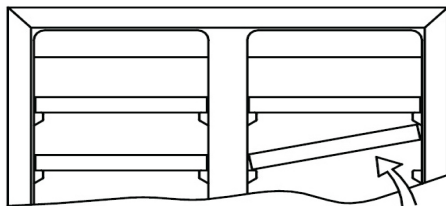
### Remplacement de l'éclairage

Des diodes électroluminescentes conçues pour durer aussi longtemps que l'appareil équipent ce dernier. S'il s'avère cependant nécessaire de les changer, veuillez contacter le service après-vente

Produit équipé de diodes class 1, sans danger pour les yeux.

### Retrait des clayettes

Poussez la clayette jusqu'au bout et inclinez-la. Il est maintenant possible de retirer la clayette.



## Recherche de pannes

Problème	Cause possible	Correction
L'appareil ne fonctionne pas+	L'appareil est hors tension.  Panne de courant ; le fusible a sauté ; l'appareil n'est pas correctement branché.	Appuyez sur l'interrupteur marche/arrêt.  Vérifiez qu'il est connecté à l'alimentation secteur. Vérifiez le fusible.
De l'eau s'écoule dans le fond de la cave à vin.	Le tuyau d'évacuation de l'eau de dégivrage est bouché.	Nettoyez la goulotte d'eau de dégivrage et l'orifice de vidange dans la paroi arrière de l'armoire.
Vibrations et bruits gênants.	L'appareil n'est pas de niveau.  L'appareil touche d'autres éléments de cuisine.  Des récipients ou des bouteilles se touchent dans l'appareil.	Mettez l'appareil de niveau (utilisez un niveau à bulle d'air).  Écartez l'appareil des éléments de cuisine ou des appareils qu'il touche.  Séparez les bouteilles ou les récipients qui s'entrechoquent.
Le compresseur tourne sans interruption.	Température ambiante élevée.	Vérifiez que la ventilation est appropriée.

## Garantie, pièces de rechange et service après-vente.

Les pannes ou les dommages dûs directement ou indirectement à une utilisation incorrecte ou fautive, un entretien insuffisant, un encastrement, une mise en place ou un raccordement incorrect, un incendie, un accident, un impact de foudre, des variations de tension et tout autre dysfonctionnement électrique dû par exemple à des fusibles ou disjoncteurs défectueux, ou à des défauts du réseau d'alimentation électrique ne sont pas couverts par la garantie. Dans le cas de réparations effectuées par des personnes autres que les réparateurs agréés par le fournisseur, et en termes généraux l'ensemble des pannes et dommages dont le fournisseur peut prouver qu'ils sont dûs à d'autres causes que des erreurs ou défauts de fabrication et de matériaux et qui, par conséquent, ne sont pas couverts par la garantie.

Veillez noter que lorsqu'une intervention dans la construction ou d'une modification des composants de l'appareil a été faite, la garantie et la responsabilité du fournisseur cesse, et l'appareil ne peut pas être utilisé légitimement. L'autorisation figurant sur la plaque signalétique ne sera plus valable.

Les dommages dûs au transport et constatés chez le client sont à régler entre le client et le revendeur, ce qui signifie que ce-dernier doit s'assurer de la satisfaction du client.

Avant de faire appel au service après-vente, toujours contrôler les points énumérés dans la liste de recherche des pannes (voir ce point). Dans le cas où la cause de l'intervention demandée ressort de la responsabilité de la personne ayant fait appel au service après-vente, par exemple

si la panne de l'appareil est due à un fusible grillé ou à une mauvaise utilisation, c'est cette personne qui devra régler les frais entraînés par cette intervention.

### Pièces de rechange

Lors de la commande de pièces de rechange, indiquer le type, numéro de produit et de production de l'appareil. Ces renseignements se trouvent sur la plaque signalétique au dos de l'appareil. La plaque signalétique renferme plusieurs informations techniques, dont les numéros de type et de série.

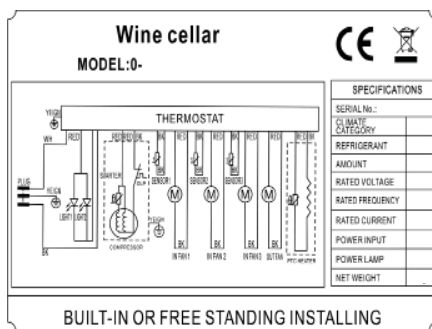


fig. 11

**TOUJOURS** faire appel à des services agréés en cas de réparation ou de remplacement !

## Mise au rebut.

**Avis aux utilisateurs concernant la collecte et l'élimination des piles et des appareils électriques et électroniques usagés.**



Apposé sur le produit lui-même, sur son emballage, ou figurant dans la documentation qui l'accompagne, ce pictogramme indique que les piles et appareils électriques et électroniques usagés doivent être séparés des ordures ménagères. Afin de permettre le traitement, la valorisation et le recyclage adéquats des piles et des appareils usagés, veuillez les porter à l'un des points de collecte prévus, conformément à la législation nationale en vigueur ainsi qu'aux directives 2002/96/CE et 2006/66/CE.

En éliminant piles et appareils usagés conformément à la réglementation en vigueur, vous contribuez à prévenir le gaspillage de ressources précieuses ainsi qu'à protéger la santé humaine et l'environnement contre les effets potentiellement nocifs d'une manipulation inappropriée des déchets.

Pour de plus amples renseignements sur la collecte et le recyclage des piles et appareils usagés, veuillez vous renseigner auprès de votre mairie, du service municipal d'enlèvement des déchets ou du point de vente où vous avez acheté les articles concernés.

Le non-respect de la réglementation relative à l'élimination des déchets est passible d'une peine d'amende.



**Pour les utilisateurs professionnels au sein de l'Union européenne**

Si vous souhaitez vous défaire de pièces d'équipement électrique ou électronique, veuillez vous renseigner directement auprès de votre détaillant ou de votre fournisseur.

**[Information relative à l'élimination des déchets dans les pays extérieurs à l'Union européenne]**

Ce pictogramme n'est valide qu'à l'intérieur de l'Union européenne. Pour supprimer ce produit, contactez les autorités locales ou votre revendeur afin de connaître la procédure d'élimination à suivre.



**Note relative au pictogramme à apposer sur les piles (voir les 2 exemples ci-contre)**

Le pictogramme représentant une poubelle sur roues barrée d'une croix est conforme à la réglementation. Si ce pictogramme est combiné avec un symbole chimique, il remplit également les exigences posées par la Directive relative au produit chimique concerné.

## Advarsel.

Såfremt apparatet indeholder kulbrintekølemiddel, henvises til nedenstående retningslinier.

Da kølemidlet, som anvendes i apparatet, er en brændbar gasart, er det vigtigt at sikre, at kølekredsløb og rør ikke er beskadigede.

Standard EN378 angiver, at rummet hvor apparatet installeres skal have en volumen på 1 m<sup>3</sup> pr. 8 g kulbrinte kølemiddel, der er brugt i apparatet. Dette er for at undgå dannelse af brandfarlige gas-/luftblandinger i rummet, hvis der skulle opstå en utæthed i kølekredsløbet. Mængden af kølemiddel i apparatet er angivet på typeskiltet.

**ADVARSEL:** Lad ventilationsåbninger, i apparatets kabinet og i eventuelt indbygningsmodul, være utildækkede.

**ADVARSEL:** Anvend ikke mekaniske apparater eller andre hjælpemidler til at fremskynde afrimningsprocessen, udover dem som er anbefalet af fabrikanten.

**ADVARSEL:** Anvend ikke elektriske apparater inden i apparatet, medmindre de er af en type som er anbefalet af fabrikanten.

**ADVARSEL:** Apparatet må ikke udsættes for regn.

**ADVARSEL:** Dette apparat er ikke beregnet til at blive anvendt af små børn, medmindre det er blevet tilstrækkeligt kontrolleret af en ansvarlig person, sådan at apparatet kan anvendes forsvarligt. Små børn skal være under opsyn for at sikre at de ikke leger med apparatet.

- Opbevar altid nøgler et separat sted utilgængeligt for børn.
- Træk stikket ud af stikkontakten før reparation eller rengøring af apparatet.
- Hvis netledningen er beskadiget, skal den udskiftes af producenten, producentens serviceagent eller anden fagmand for at undgå fare.
- Dannelse af rim på den indvendige fordamperplade og de øverste dele er normalt. Apparatet skal derfor afrimes i forbindelse med almindelig rengøring eller vedligeholdelse.
- Såfremt der findes en lyskilde i apparatet, fremgår udskiftning af belysningen i brugsanvisningen.
- Vær opmærksom på at ændringer i apparatets konstruktion vil medføre, at al garanti og produktansvar bortfalder.
- Apparatet er udelukkende beregnet til opbevaring af vin.

## Indhold.

Inden brug .....	2
Tekniske data.....	2
Lær vinskabet at kende .....	3
Ibrugtagning og installation.....	3
Omhængsling af dør.....	5
Betjening og funktion.....	7
Afrimning, rengøring og vedligeholdelse.....	6
Udtagning af hylder .....	8
Fejlfindingsliste .....	10
Reklamation, reservedele og service .....	10
Bortskaffelse.....	13

**Tak** fordi du valgte et nyt vinkøleskab. Bemærk at brugsanvisningen gælder for alle vinkøleskabe i Compact serien. Illustrationer og udstyr svarer derfor ikke nødvendigvis helt til din model.

## Inden brug.

Inden du anvender dit nye apparat bør du læse brugsanvisningen grundigt. Brugsanvisningen indeholder vigtige informationer vedrørende sikkerhed, intallation, drift og vedligeholdelse. Gem brugsanvisningen. Du kan få brug for den på et senere tidspunkt.

Kontroller at skabet ikke er beskadiget ved modtagelsen. Transportskader skal anmeldes til forhandleren inden køleskabet tages i brug.

Fjern emballagen. Rengør skabet indvendigt med lunken vand tilsat et mildt opvaskemiddel. Afvask med rent vand og tør grundigt af (se rengøring). Brug en blød klud.

Hvis skabet har ligget ned under transport eller det er blevet opbevaret i kolde omgivelser (koldere end +5 °C) skal apparatet stå op i minimum en time inden ibrugtagning.

## Tekniske data.

Dette apparat overholder bestemmelserne i relevante EU Direktiver herunder Lavspændings Direktivet 2006/95/EØF og Elektromagnetisk kompatibilitet 2004/108/EF

Typeskiltet som er placeret inde i apparatet, indeholder forskellige tekniske oplysninger samt type- og serienummer.

## Lær vinskabet at kende

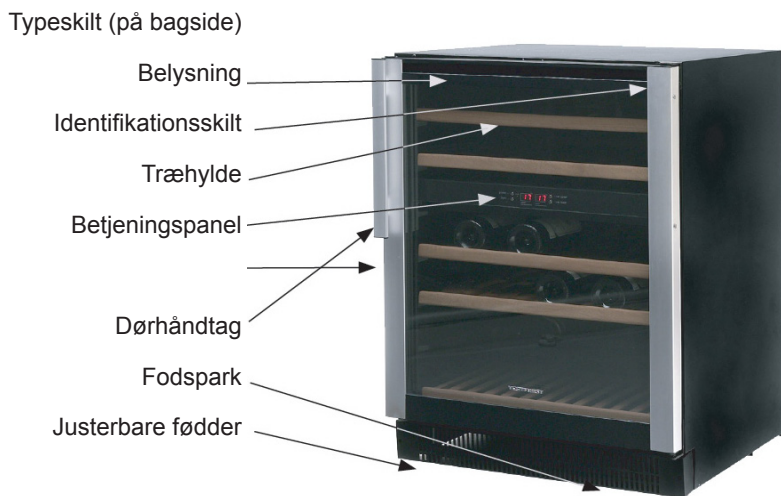


fig.1

## Ibrugtagning og installation

### Placering

Af sikkerhedsmæssige og driftsmæssige grunde må apparatet ikke placeres uden-dørs.

Stil skabet på et plant underlag i et tørt og godt ventileret rum (max. 75% relativ luftfugtighed). Anbring ikke skabet tæt på varmekilder såsom komfur eller radiator og undgå at det udsættes for direkte sollys eller varme fra anden varmkilde.

### Rumtemperaturen

Klimaklassen står på typeskiltet (se fig. 1 side 3 og fig. 11 side 12). Den angiver indenfor hvilke rumtemperaturer kølekabet kører optimalt.

Klimaklasse	Tilladt rumtemperatur
SN	+10 °C til +32 °C
N	+16 °C til +32 °C
ST	+18 °C til +38 °C
T	+18 °C til +43 °C



## Installation

Underlaget hvorpå skabet opstilles skal være plant. Brug ikke en ramme eller lignende.

Det er vigtigt, at skabet står helt lige. Man kan justere skabet ved at dreje de justerbare fødder i fronten op eller ned (se figur 2). Kontroller med et vaterpas, at skabet står lige.

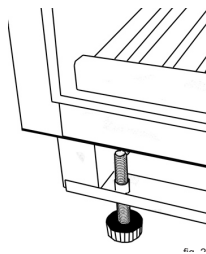


fig. 2

## Indbygning

**W32** kan kun være fritstående og der skal sikres, at der er tilstrækkelig luft omkring skabet (figur 4).

Skabene **W45** og **W38** kan bygges ind i et køkkenelement eller stå frit (figur 3). Ved indbygning af skabet skal det sikres, at der er tilstrækkelig luftgennemgang i køkkensoklen foran apparatet. Det samlede areal af lufthullerne skal være som beskrevet på figur 3, og den enkelte luftspalte skal have en åbning på mindst 5 mm.

Det medfølgende fodspark kan monteres med de to medfølgende skruer som ligger løse i yderposen. Se fig 2\_1

**OBS:** Fodsparket ikke skal monteres, hvis apparatet indbygges bag en køkkensokkel.



fig. 2\_1

Hvis det ønskes kan indholdet i posen som ses på fig 2\_1, bruges til at fastgøre skabet op mod en bordplade.

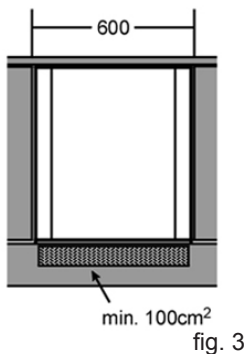
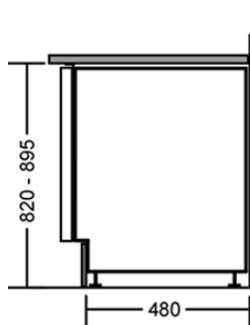


fig. 3

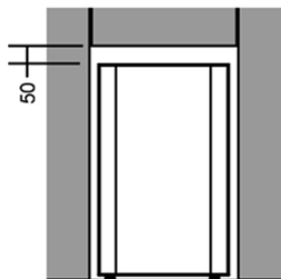


fig. 4

## Omhængsling af dør W32

Døren kan ændres fra højrehængt til venstrehængt og omvendt på følgende måde:

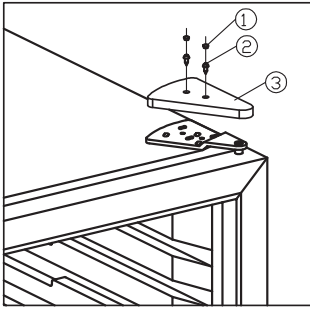


fig. 5.1

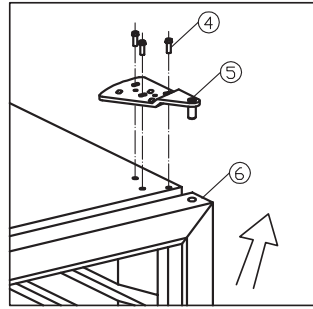


fig. 5.2

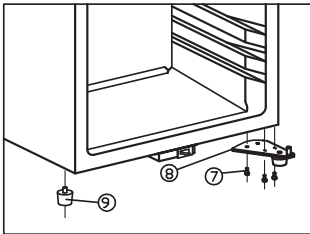


fig. 5.3

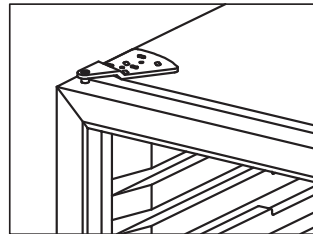


fig. 5.4

1) Gummiprop 2) Skruer 3) Hængselsafdækning 4+7) Skruer 5) Top hængsel 6) Dør  
7) Skruer 8) Kabinetfod

- Fjern gummipropperne og hængsel afdækningen. Se fig.5.1
- Mens du støtter døren, løses og fjernes tophængsel og døren løftes af. See fig.5.2
- Afmonter bundhængslet (8)
- Afmonter den høje kabinetsfod (9) fra venstre side og monter den igen i modsat side. See fig.5.3
- Monter bundhængslet med skruerne
- Monter døren på bundhængslet (8) på samme måde som den blev fjernet og monter tophængslet igen. See fig.5.4
- Monter hængselsafdækningen og propperne.

## Omhængsling af dør W45

Døren kan ændres fra højrehængt til venstrehængt og omvendt på følgende måde:

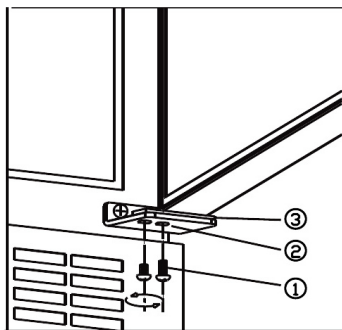


fig. 6.1

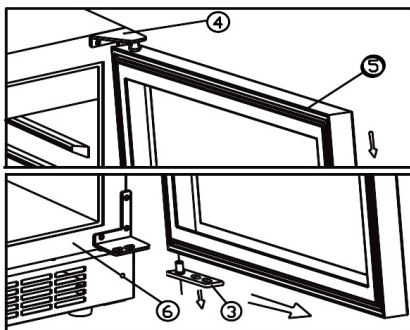


fig. 6.2

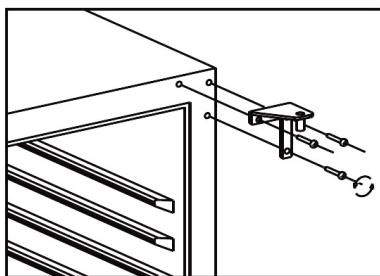


fig. 6.3

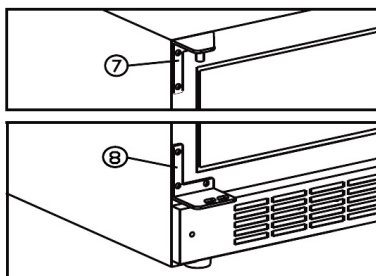


fig. 6.4

1) Skruer 2) Bundhængsel, højre 3) Dørtap 4) Tophængsel, højre 5) Dør 6) Kabinet  
7) Tophængsel, venstre 8) Bundhængsel, venstre

- Sørg for kabinettet ikke er tilsluttet strøm og læg skabet på ryggen
- Afmonter skruerne (1) **STØT DØREN!** Se fig. 6.1
- Afmonter døren ved at trække døren frem og fri af tophængslet. Se fig. 6.2
- Afmonter højre tophængsel og gem for evt. senere brug. Se fig. 6.3
- Monter vedlagte venstre top- og bundhængsel (7 + 8). Se fig. 6.4
- Isæt den tidligere afmonterede dørtap (3) i bundhængslet
- Monter døren op i tophængslet (7) og ind på dørtappen (3), fastskru dørtappen (1)
- Stil kabinettet op igen og vent 1 time inden der tilsluttes strøm for at undgå olie i kølesystemet

## Betjening og funktion W32 og W45

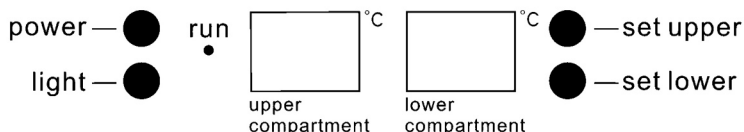


fig. 7

### Elektronisk styring

Den elektroniske styring sørger for at skabet holder de indstillede temperaturer i afdelingerne. Dette opnås ved en avanceret styring af kølesystem, varmelegeme og ventilator.

Efter en eventuel strømafbrydelse nulstilles temperaturen til fabriksindstillingen, som er:

Øverst: 6°C

Nederst: 12°C

Den elektroniske styring har følgende funktioner:

- Temperaturindstilling
- Temperaturangivelse
- Automatisk afrimning
- Alarm ved høj og lav temperatur
- Lys tænd/sluk
- Enhed tænd/sluk (tryk og hold 3 sek)

### Temperatur-udlæsning

Displayet viser den aktuelle temperatur i skabet. Temperaturvisningen har indbygget et filter som simulerer den aktuelle temperatur i flaskerne. Derfor reagerer udvisningen ikke på kortvarige variationer i lufttemperaturen.

### Temperaturindstilling

Temperaturerne i afdelingerne indstilles med de to setknapper på den elektroniske styring. Når der trykkes på knappen ændres displayet fra den aktuelle temperatur til den indstillede temperatur.

Hvis der trykkes på knappen gentagne gange rulles gennem temperaturintervallet for indstillet temperatur.

Øverste afdeling kan justeres mellem 5 til 10 grader Celsius.

Nederste afdeling kan justeres mellem 10 til 18 grader Celsius.

### Temperaturalarm

Hvis temperaturen har afvejet 3°C fra den valgte indstillede værdi i mindst 1 time vises henholdsvis Lo/aktuel temperatur og Hi/aktuel temperatur skiftevis, blinkende.

Det anbefales at servere vinene et par grader koldere end den ønskede drikketemperatur, da vinen ved skænkning i glasset hurtigt bliver varmet en anelse op.

## Betjening og funktion W38

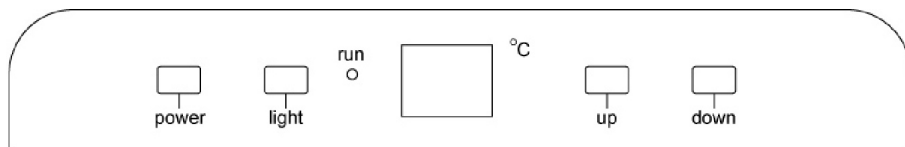


fig. 8

### Elektronisk styring

Den elektroniske styring sørger for at skabet holder de indstillede temperaturer i afdelingerne. Dette opnås ved en avanceret styring af kølesystem, varmelegeme og ventilator.

Efter en eventuel strømafbrydelse nulstilles temperaturen til fabriksindstillingen, som er:

Venstre afdeling 7°C

Højre afdeling 12°C

Den elektroniske styring har følgende funktioner:

- Temperaturindstilling
- Temperaturangivelse
- •Automatisk afrimning
- •Alarm ved høj og lav temperatur
- •Lys tænd/sluk
- •Enhed tænd/sluk (tryk og hold 3 sek)

### Temperatur-udlæsning

Displayet viser den aktuelle temperatur i skabet. Temperaturvisningen har indbygget et filter som simulerer den aktuelle temperatur i flaskerne, derfor reagerer udvisningen ikke på kortvarige variationer i lufttemperaturen.

### Temperaturindstilling

Temperaturerne i afdelingerne indstilles med de to knapper på den elektroniske styring. Når der trykkes på knappen ændres displayet fra den aktuelle temperatur til den indstillede temperatur. Herefter kan setpunktet ændres for indstillet temperatur:

Up = varmere, Down = koldere.

Begge afdelinger kan justeres mellem 5 til 18 grader Celsius.

Det nye setpunkt lagres automatisk efter 5 sekunders inaktivitet, og displayet skifter tilbage til at vise aktuel temperatur.

### Temperaturalarm

Hvis temperaturen har afvejet 3°C fra den valgte indstillede værdi i mindst 1 time vises henholdsvis Lo/aktuel temperatur og Hi/aktuel temperatur skiftevis, blinkende.

Det anbefales at servere vinene et par grader koldere end den ønskede drikketemperatur, da vinen ved skænkning i glasset hurtigt bliver varmet en anelse op.

## Afrimning, rengøring og vedligeholdelse

### Automatisk afrimning af vinskabet

Afrimning af vinskabet sker automatisk. Smeltevandet løber gennem et rør ned til tøvandsskålen der sidder ved kompressoren. Vandet fordamper på grund af varmen fra kompressoren.

### Rengøring

Før rengøring påbegyndes skal stikproppen fjernes fra stikkontakten. Skabet rengøres bedst med en opløsning af lunkent vand tilsat lidt opvaskemiddel (max. 65 °C). Anvend ikke rengøringsmidler der kan ridse. Brug en blød klud. Vask efter med rent vand og tør grundigt af. Brug aldrig skarpe eller spidse genstande. Undgå unødigt vask af træhylderne, da disse er af ubehandlet naturmateriale, og derfor kan misfarves af rengøringsmidler.

Tætningslisten rundt ved døren kræver jævnlig rengøring for at undgå misfarvning og sikre lang holdbarhed. Brug rent vand.

Efter rengøring af dørens tætningsliste bør du kontrollere om den fortsat slutter tæt.

På kondensatoren under kabinettet, på kompressoren og i kompressorummet fjernes støvet bedst med en støvsuger.

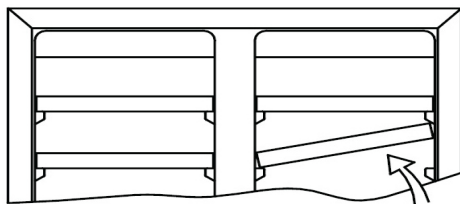
### Udskiftning af lys

Der anvendes lysdioder som er dimensioneret til at holde hele produktets levetid. Skulle det alligevel blive nødvendigt at skifte lyskilden, så tilkald service.

CLASS 1 LED PRODUKT

### Udtagning af hylder

Hylden skubbes helt i bund, og vippes skråt. Hylden kan nu trækkes ud.



## Fejlfindingsliste

Fejl	Mulig årsag	Afhjælpning
Skabet virker ikke	Skabet er slukket.  Strømsvigt; sikringen er slået fra; netstikket er ikke sat rigtigt i.	Tryk på tænd/sluk knappen.  Kontrollér om strømmen er tilsluttet. Sikringen skal være slået til.
Der løber vand i bunden af køleskabet.	Tøvandsafløbsrøret er tilstoppet.	Rens tøvandsrenden og afløbs-hullet i bagvæggen.
Vibrationer eller generende støj.	Skabet står skævt.  Skabet hviler op mod andre køkkenelementer.  Beholdere eller flasker berører hinanden i skabet.	Indstil skabet med et vaterpas.  Ryk skabet væk fra køkkenelementerne eller apparater, som står umiddelbart op ad skabet.  Sørg for afstand mellem flasker og/eller beholdere.
Kompressor kører konstant.	Høj rumtemperatur.	Sørg for god ventilation.

# Reklamation, reservedele og service

## Reklamationsretten

Såfremt der konstateres fejl ved produktet, kan De over for leverandøren gøre brug af reklamationsretten ifølge gældende lovgivning. Producenten skal for egen regning afhjælpe fabrikations- og materialefejl, der konstateres ved apparatets normale brug under forudsætning af, at apparatet er købt som fabriksnyt i Danmark. For Grønland og Færøerne gælder særlige bestemmelser.

Såfremt det skønnes nødvendigt at apparatet indsendes til værksted, sker indsendelse og returnering for producentens regning og risiko.

Der er ikke dækning for fejl eller skader direkte eller indirekte opstået ved fejlbetjening, misbrug, mangelfuld vedligeholdelse, forkert indbygning, opstilling eller tilslutning. Det samme gælder for brand, ulykke, lynnedslag, spændingsvariationer eller andre elektriske forstyrrelser som f.eks. defekte sikringer eller fejl i forsyningsnettets elektriske installationer.

Reparationer udført af andre end de anviste reparatører, og i det hele taget fejl og skader, som leverandøren kan godtgøre skyldes andre årsager end fabrikations- og materialefejl, er ikke omfattet af reklamationsretten.

Vær opmærksom på, at ved indgreb i apparatets opbygning, og ved ændring af apparatets komponentbestykning bortfalder garanti og produktansvar og apparatet kan ikke lovligt anvendes. Godkendelse anført på mærkeskilt er ligeledes ugyldig.

Transportskader, der konstateres hos forbrugeren, er primært en sag mellem forbruger og forhandler, dvs. forhandler må drage

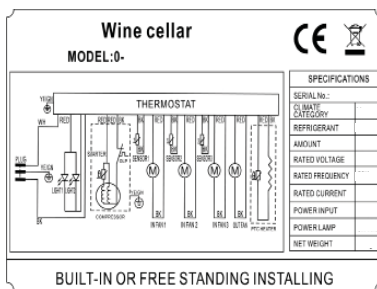
omsorg for, at forbrugeren stilles tilfreds. Inden du tilkalder serviceassistance, bedes du kontrollere de fejlmuligheder, du selv kan afhjælpe. (Se fejlfindingslisten)

Såfremt dit krav om afhjælpning er uberegtiget, eksempelvis hvis apparatets svigt skyldes en sprunget sikring eller en fejlbetjening, må du selv betale de omkostninger, der er forbundet med at have tilkaldt serviceassistance.

## Reservedele

Angiv venligst type- og serienummer samt prod. nummer, når du bestiller reservedele.

Disse oplysninger finder du på typeskiltet. Typeskiltet indeholder forskellige tekniske oplysninger, samt type- og serienummer. Husk altid at bruge autoriserede håndværkere, hvis der er noget der skal repareres eller udskiftes!





# Bortskaffelse.

## Brugerinformation om indsamling og bortskaffelse af elektriskrot og brugte batterier



Disse symboler på produkter, emballage og/eller ledsagedokumenter betyder, at brugte elektriske og elektroniske produkter og batterier ikke må smides ud som almindeligt husholdningsaffald. Sådanne gamle produkter og batterier skal indleveres til behandling, genvinding resp. recycling i henhold til gældende nationale bestemmelser samt direktiverne 2002/96/EF og 2006/66/EF.

Ved at bortskaffe sådanne produkter og batterier på korrekt vis hjælper du med til at beskytte værdifulde ressourcer og imødegå de negative påvirkninger af det menneskelige helbred og miljøet, som vil kunne være følgen af usagkyndig affaldsbehandling.

Ønsker du mere udførlig information om indsamling og recycling af gamle produkter og batterier, kan du henvende dig til din kommune, deponeringselskabet eller stedet, hvor du har købt produkterne.

Usagkyndig bortskaffelse af elektriskrot og batterier kan eventuelt udløse bødeforlæg.



## For kommercielle brugere i Den Europæiske Union

Når du ønsker at kassere elektriske eller elektroniske apparater, bedes du henvende dig til din forhandler eller leverandør for nærmere information.

### [Information om bortskaffelse i lande uden for Den Europæiske Union]

Disse symboler gælder kun inden for Den Europæiske Union. Hvis du ønsker at afhænde dette produkt, skal du rette henvendelse til de lokale myndigheder eller din forhandler. Her kan du få oplysninger om, hvordan du bedst kommer af med produktet.

### Information om batterisymbol (to eksempler nedenfor):



Dette symbol kan optræde sammen med et kemisk symbol. I så fald opfylder det kravene for det direktiv, som er blevet fastlagt for det pågældende kemikalie.





- GB Reserving the right to alter specifications without prior notice.
- DE Recht auf Änderungen vorbehalten.
- FR Nous nous réservons le droit d'apporter toutes modifications à nos produits
- DK Ret til ændringer forbeholdes